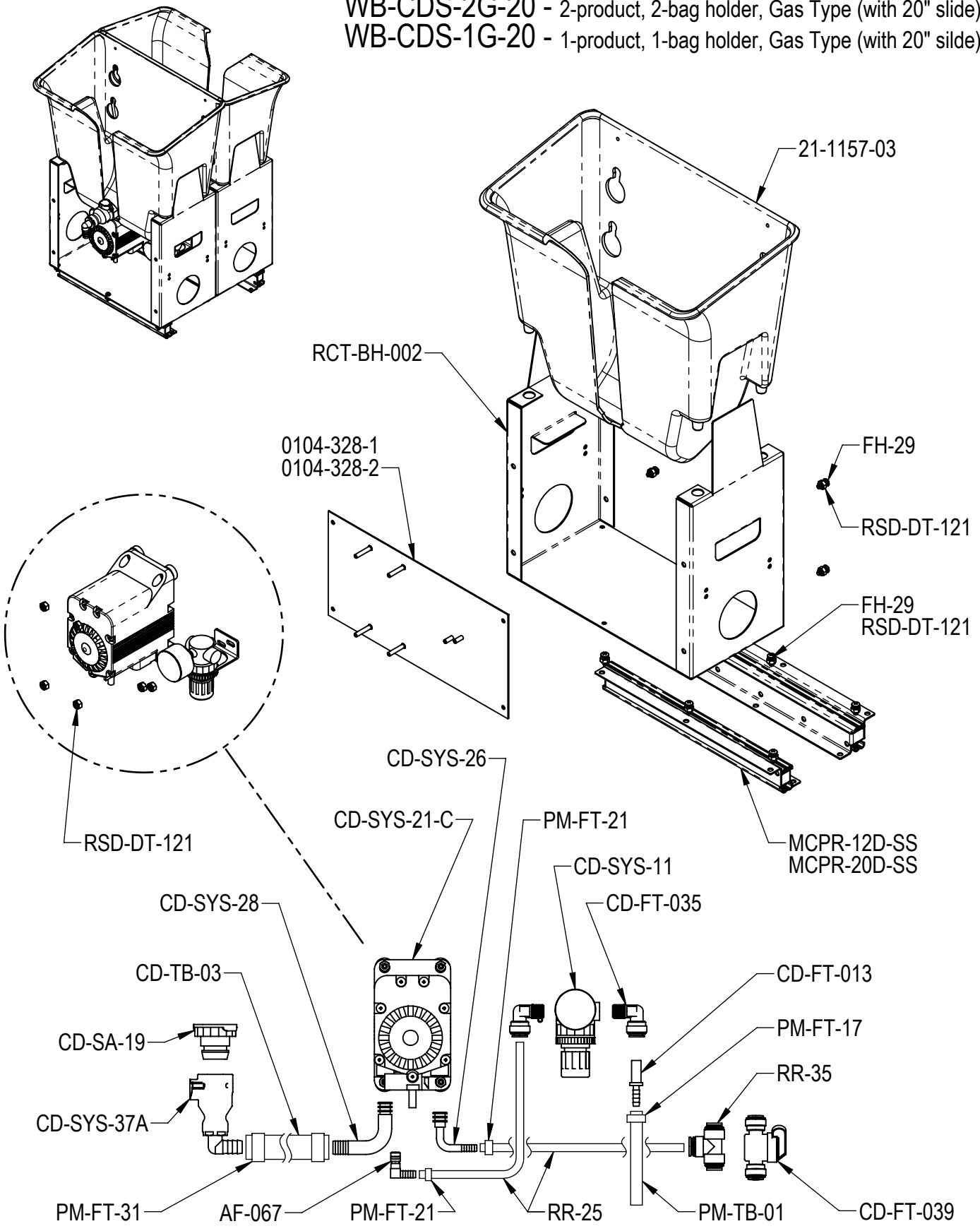


- WB-CDS-2G - 2-product, 2-bag holder, Gas Type (with 12" slide)
- WB-CDS-1G - 1-product, 1-bag holder, Gas Type (with 12" slide)
- WB-CDS-2G-20 - 2-product, 2-bag holder, Gas Type (with 20" slide)
- WB-CDS-1G-20 - 1-product, 1-bag holder, Gas Type (with 20" silde)



0101699.dwg Model WB-CDS-1G and -1G-20, -2G and -2G-20 / 16 AUG 2017

AUTOMATIC BAR CONTROLS, INC.
 2060 CESSNA DR, SUITE 100
 VACAVILLE, CA 95688

Wunder-Bar™

PHONE: (707) 448-5151
 FAX : (707) 448-1521
 WWW.WUNDERBAR.COM